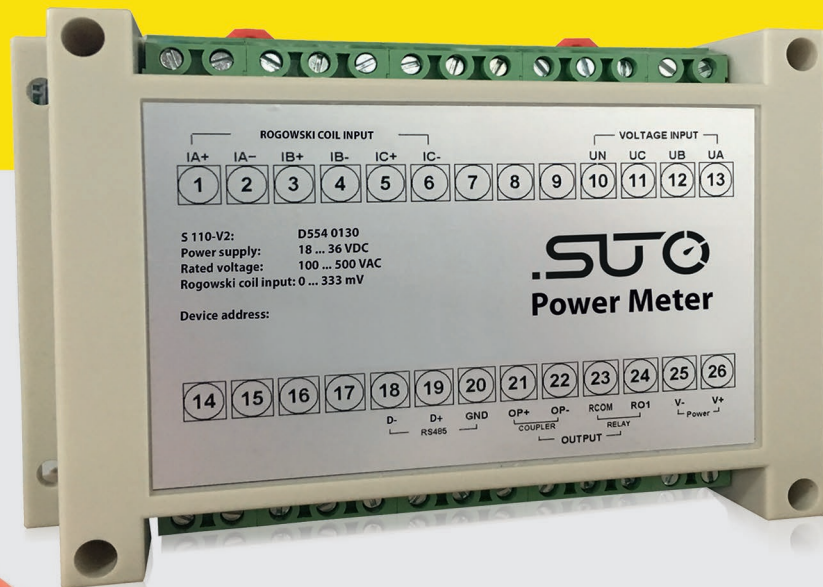


POWER METER S110



**kWh, A, V,
Hz, cos phi**
MULTIFUNCTION POWER METER
 3-phase, 1-phase

Rogowski

Modbus

Power Meter S110 — monitors the power consumption and power quality



S110 hat rail mountable

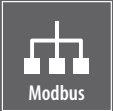
S110 FEATURES



**MULTIFUNCTION
POWER METER**
3-phase, 1-phase



**ROGOWSKI
COILS**
Wide range,
highly accurate



**MODBUS/
RTU INTERFACE**
Connects to any
Modbus-Master

S110 OPERATION PRINCIPLE

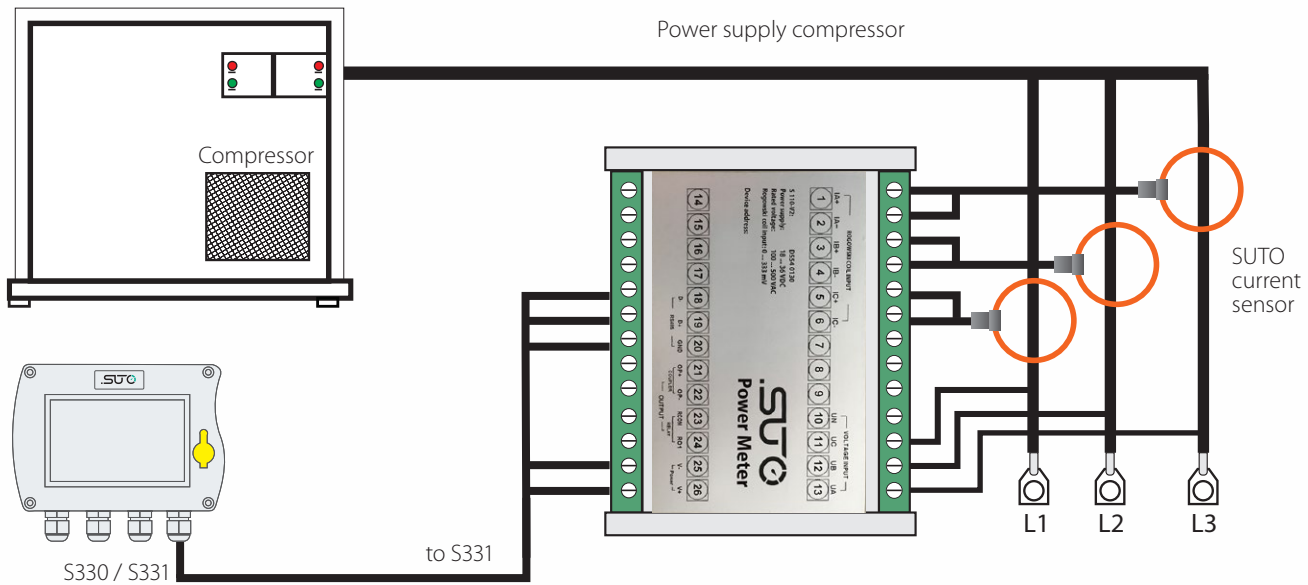
The S110 Power Meters are designed for easy installation and high accuracy. They measure the actual power consumption in kW and accumulate the Energy consumption in kWh of a 3-phase load.

The S110 can measure other parameters such as current, voltage, cos phi etc. Hat rail, wall mountable and portable versions are available.

S110 TECHNICAL DATA

General Specifications	
Nominal voltage (L-N, L-L)	100 ... 500 VAC
Voltage measurement	3PH4W, 3PH3W, 1PH2W
Clamp sensor input range	(333 mV only) external Rogowski coil
Available clamp sensors	Rogowski coil 1 ... 100 A 10 ... 1000 A 30 ... 3000 A
Power range	up to 2000 kW (depends on Rogowski coil)
Accuracy	Voltage 0.2% Current 0.5% Clamp Class 1 Energy Class 0.5
Output	Modbus/RTU
Supply	24 V DC / 3.5 W
Operating Temperature	-25 ... +55°C
Dimensions	Hat rail version 122 x 87 x 23 mm Portable 177 x 177 x 60 mm

S110 INSTALLATION



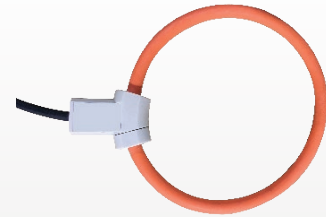
In above illustration a power meter is installed directly into the connection box of the compressor. The Rogowski coils can be easily fixed. The voltage connection can be drawn from other available connection points. A separate cable connects the S110 power meter to the S330 / S331 with Modbus/RTU and 24 VDC power supply. The power meter could also be installed into the connection cabinet where the power supply for the compressor is coming from. If no hat rail mounting is available, there is a wall mountable version of the S110 power meter.



S330 / S331 can be used as stationary display of up to 16 power meters



S110-P, portable solution power meter, to be connected to the S551



SUTO current sensor with wide measuring range, high accuracy and easy installation (Note: for each phase you must order 1 coil)

S110 ORDERING

Please use the following table to assist in placing your order with our sales staff.



Visit our website or e-mail us:
www.suto-itec.com
sales@suto-itec.com

S110 Power Meter	
Order No.	Description
Stationary	
D554 0130	S110 power meter, hat rail, Modbus/RTU, 24 VDC supply
S554 0140	Rogowski coil for S110, 1000 A, 100 mm diameter, 1.8 m cable, open ends
S554 0141	Rogowski coil for S110, 3000 A, 150 mm diameter, 1.8 m cable, open ends
S554 0142	Rogowski coil for S110, 100 A, 16 mm diameter, 1.8 m cable, open ends
Portable	
P554 0134	Portable power meter S110-P, Modbus/RTU, including 4 test leads, 4 test clips, connection cable to S551
S554 0160	Rogowski coil for S110-P, 1000 A, 100 mm diameter, 1.8 m cable, connector to S110-P
S554 0161	Rogowski coil for S110-P, 3000 A, 150 mm diameter, 1.8 m cable, connector to S110-P
S554 0162	Rogowski coil for S110-P, 100 A, 16 mm diameter, 1.8 m cable, connector to S110-P



EUROPEAN OFFICE	CHINA OFFICE	ASIA / PACIFIC OFFICE
<p>SUTO iTEC GmbH</p> <p>Werkstr. 2 79426 Buggingen Germany Fon: +49(0) 7631 936 889 0 Fax: +49 (0) 7631 936 889 19 Mail: sales@suto-itec.com</p>	<p>SUTO iTEC (China) Co. Ltd</p> <p>D3 Building, Unit A, 11/F, TCL International E City 1001 Zhongshanyuan Road, Nanshan Shenzhen, China Tel: +86 (0) 755 8619 3164 Fax: +86 (0) 755 8619 3165 Email: sales.cn@suto-itec.asia</p>	<p>SUTO iTEC (ASIA) Co. Limited</p> <p>Room 10, 6/F, Block B, Cambridge Plaza 188 San Wan Road, Sheung Shui, N.T. Hong Kong Tel: +852 2328 9782 Fax: +852 2671 3863 Email: sales@suto-itec.asia</p>