

Instruction and operation manual

S401

Thermal mass flow sensor



Dear Customer,

Thank you for choosing our product.

Please read the operating instructions in full and carefully observed them before starting up the device. The manufacturer cannot be held liable for any damage which occurs as a result of non-observance or non-compliance with this manual.

Should the device be tampered with in any manner other than a procedure which is described and specified in the manual, the warranty is canceled and the manufacturer is exempt from liability.

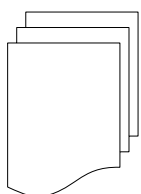
The device is destined exclusively for the described application.

SUTO offers no guarantee for the suitability for any other purpose. SUTO is also not liable for consequential damage resulting from the delivery, capability or use of this device.

Table of contents

| | |
|---|----|
| 1 Safety instructions..... | 4 |
| 2 RF exposure information and statement..... | 7 |
| 3 Application..... | 8 |
| 4 Features..... | 8 |
| 5 Technical data..... | 9 |
| 5.1 General..... | 9 |
| 5.2 Electrical data..... | 10 |
| 5.3 Output-signals..... | 10 |
| 5.4 Accuracy | 10 |
| 5.5 Volumetric flow ranges..... | 10 |
| 6 Dimensional drawing..... | 12 |
| 7 Determining the installation point..... | 13 |
| 8 Reserving inlet and outlet sections..... | 14 |
| 9 Sensor installation | 16 |
| 9.1 Installation requirements..... | 16 |
| 9.2 Installation procedure | 17 |
| 9.2.1 Calculating the installation depth..... | 17 |
| 9.2.2 Installing the sensor..... | 19 |
| 9.2.3 Removing the sensor..... | 20 |
| 9.3 Electrical connection..... | 21 |
| 10 Sensor signal outputs..... | 23 |
| 10.1 Analog output..... | 23 |
| 10.2 Pulse output..... | 23 |
| 10.2.1 Pulse connection diagram..... | 25 |
| 10.3 Modbus output..... | 26 |
| 11 Sensor display (option)..... | 27 |
| 11.1 Starting process..... | 27 |
| 11.2 Configuration using the display..... | 28 |
| 12 Service App S4C-FS..... | 29 |
| 13 Calibration..... | 30 |
| 14 Maintenance..... | 30 |
| 15 Disposal or waste..... | 30 |
| 16 Warranty..... | 30 |
| 17 Appendix A - Analogue output..... | 32 |
| 18 Appendix B - Modbus communication example..... | 34 |
| 19 Appendix C - LRC and CRC calculation..... | 36 |

1 Safety instructions



Please check if this instruction manual accords to the product type.

Please observe all notes and instructions indicated in this manual. It contains essential information which must be observed before and during installation, operation and maintenance. Therefore this instruction manual must be read carefully by the technician as well as by the responsible user / qualified personnel.

This instruction manual must be available at the operation site of the flow sensor at any time. In case of any obscurities or questions, regarding this manual or the product, please contact the manufacturer.



WARNING!

Compressed air!

Any contact with quickly escaping air or bursting parts of the compressed air system can lead to serious injuries or even death!

- Do not exceed the maximum permitted pressure range (see the sensors label).
- Only use the pressure-tight installation material.
- Avoid that persons get hit by escaped air or bursting parts of the instrument.
- The system must be pressure-less during maintenance work.



WARNING!

Voltage used for supply!

Any contact with energized parts of the product, may lead to an electrical shock which can lead to serious injuries or even death!

- Consider all regulations for electrical installations.
- The system must be disconnected from any power supply during maintenance.
- Any electrical work on the system is only allowed by authorized qualified personal.

**ATTENTION!****Permitted operating parameters!**

Observe the permitted operating parameters, any operation exceeding this parameters can lead to malfunctions and may lead to damage on the instrument or the system.

- Do not exceed the permitted operating parameters.
- Make sure the product is operated in its permitted limitations.
- Do not exceed or undercut the permitted storage and operation temperature and pressure.
- The product should be maintained and calibrated frequently, at least annually.

General safety instructions

- It is not allowed to use the product in explosive areas.
- Please observe the national regulations before/during installation and operation.

Remarks

- It is not allowed to disassemble the product.
- Always use spanner to mount the product properly.

**ATTENTION!****Measurement values can be affected by malfunction!**

The product must be installed properly and frequently maintained, otherwise it may lead to wrong measurement values, which can lead to wrong result.

- Always observe the direction of the flow when installing the sensor. The direction is indicated on the housing.
- Do not exceed the maximum operation temperature at the sensors tip.
- Avoid condensation on the sensor element as this will affect accuracy enormously.

Storage and transportation

- Make sure that the transportation temperature of the sensor without display is between $-30 \dots +70^{\circ}\text{C}$ and with display between $-10 \dots +50^{\circ}\text{C}$.
- For storage and transportation it is recommended to use the packaging which comes with the sensor.
- Please make sure the storage temperature of the sensor is between $-10 \dots +50^{\circ}\text{C}$.
- Avoid direct UV and solar radiation during storage.
- For the storage the humidity must be $<90\%$, no condensation.

2 RF exposure information and statement

This equipment complies with FCC RF radiation exposure limits set forth for an uncontrolled environment. This equipment should be installed and operated with minimum distance of 20 cm between the radiator and your body.

This device complies with part 15 of the FCC rules. Operation is subject to the following two conditions: (1) this device may not cause harmful interference, and (2) this device must accept any interference received, including interference that may cause undesired operation.

NOTE: The manufacturer is not responsible for any radio or TV interference caused by unauthorized modifications to this equipment. Such modifications could void the user's authority to operate the equipment.

NOTE: This equipment has been tested and found to comply with the limits for a Class B digital device, pursuant to part 15 of the FCC Rules. These limits are designed to provide reasonable protection against harmful interference in a residential installation. This equipment generates uses and can radiate radio frequency energy and, if not installed and used in accordance with the instructions, may cause harmful interference to radio communications. However, there is no guarantee that interference will not occur in a particular installation. If this equipment does cause harmful interference to radio or television reception, which can be determined by turning the equipment off and on, the user is encouraged to try to correct the interference by one or more of the following measures:

Reorient or relocate the receiving antenna.

Increase the separation between the equipment and receiver.

Connect the equipment into an outlet on a circuit different from that to which the receiver is connected.

Consult the dealer or an experienced radio/TV technician for help

This device and its antenna(s) must not be co-located or operating in conjunction with any other antenna or transmitter.

3 Application

The S401 is a flow sensor that is designed to measure the consumption of compressed air and gases within the permissible operating parameters. These parameters can be found in the technical data section.

The S401 can measure the following values:

- Volumetric flow of the compressed air or gas.
- Total consumption of the compressed air or gas.

The default factory settings are: Volumetric flow in m³/h and Total Consumption in m³. Other units can be available by configuration using the S4C-FS android app, the optional display or the service kit.


The S401 flow sensor is mainly used in compressed air systems in industrial environments. The S401 flow sensor is not developed to be used in explosive areas. For the use in explosive areas please contact the manufacturer.

4 Features

- Insertion type flow sensor for easy installations under pressure through a ball valve.
- Thermal mass flow measurement, virtually independent of pressure and temperature changes.
- IP65 casing provides robust protection in the industrial environment.
- Very fast response time.
- High accuracy and wide measuring ranges. Special ranges on request.
- Tube diameters from 1/2" up to 12", larger diameters on request.
- Optional display directly on the sensor, showing volumetric flow and consumption.
- Modbus interface (optional).

5 Technical data

5.1 General

| | |
|--|--|
|  FCC ID: 2ASK2-SUTO-001 | |
| Parameters | Standard unit flow: m ³ /h Other units: m ³ /min, l/min, l/s, cfm, kg/h, kg/min, kg/s Consumption units: m ³ , ft ³ , kg |
| Reference conditions | ISO1217 20°C 1000 mbar (Standard-Unit) DIN1343 0°C 1013.25 mbar (Norm-Unit) |
| Principle of measurement | Thermal mass flow |
| Sensor | Glass coated resistive sensor |
| Measuring medium | Air, gas (non corrosive gas) |
| Operating temperature | -30 ... +140°C fluid temperature -30 ... +70°C casing -10 ... +50°C display (optional) |
| Humidity of the meas. medium | < 90%, no condensation |
| Operating pressure | Up to 5.0 MPa (> 1.6 MPa needs the installation device) |
| Housing material | PC + ABS |
| Material of the probe tube, sensor head (wetted parts) | Stainless steel 1.4404 (SUS 316L) |
| Protection class | IP65 |
| Dimensions | See dimensional drawing on the next page |
| Display (optional) | 2.4" color graphics display with keypad |
| Tube diameter | 1/2" to 12" (bigger diameters on request) |
| Process connection | G1/2" (ISO 228/1) |
| Weight | 0.9 kg (220 mm standard) 0.85 kg (160 mm), 0.95 kg (300 mm), 1.0 kg (400 mm) |

5.2 Electrical data

| | |
|--------------|-----------------------|
| Power supply | 15 ... 30 VDC, 200 mA |
|--------------|-----------------------|

5.3 Output-signals

| | |
|-----------------|--|
| Analogue output | Signal: 4 ... 20 mA, isolated Scaling: 0 to max flow Max load: 250R |
| Pulse output | 1 pulse per consumption unit, isolated switch, max. 30 VDC, 200 mA (pulse length: 10 ... 120 ms, depends on flow rate) |
| Modbus output | See chapter 10.3 |

5.4 Accuracy

| | |
|--------------------|--|
| Accuracy* | $\pm(1.5\%$ of reading + 0.3% FS) (optional 1% of reading) Temperature drift: < 0.05%/K |
| Stated accuracy at | Ambient/process temperature 23°C \pm 3°C Ambient/process humidity <90% Process pressure at 0.6 Mpa |
| Repeatability | \pm 0.25% of reading |

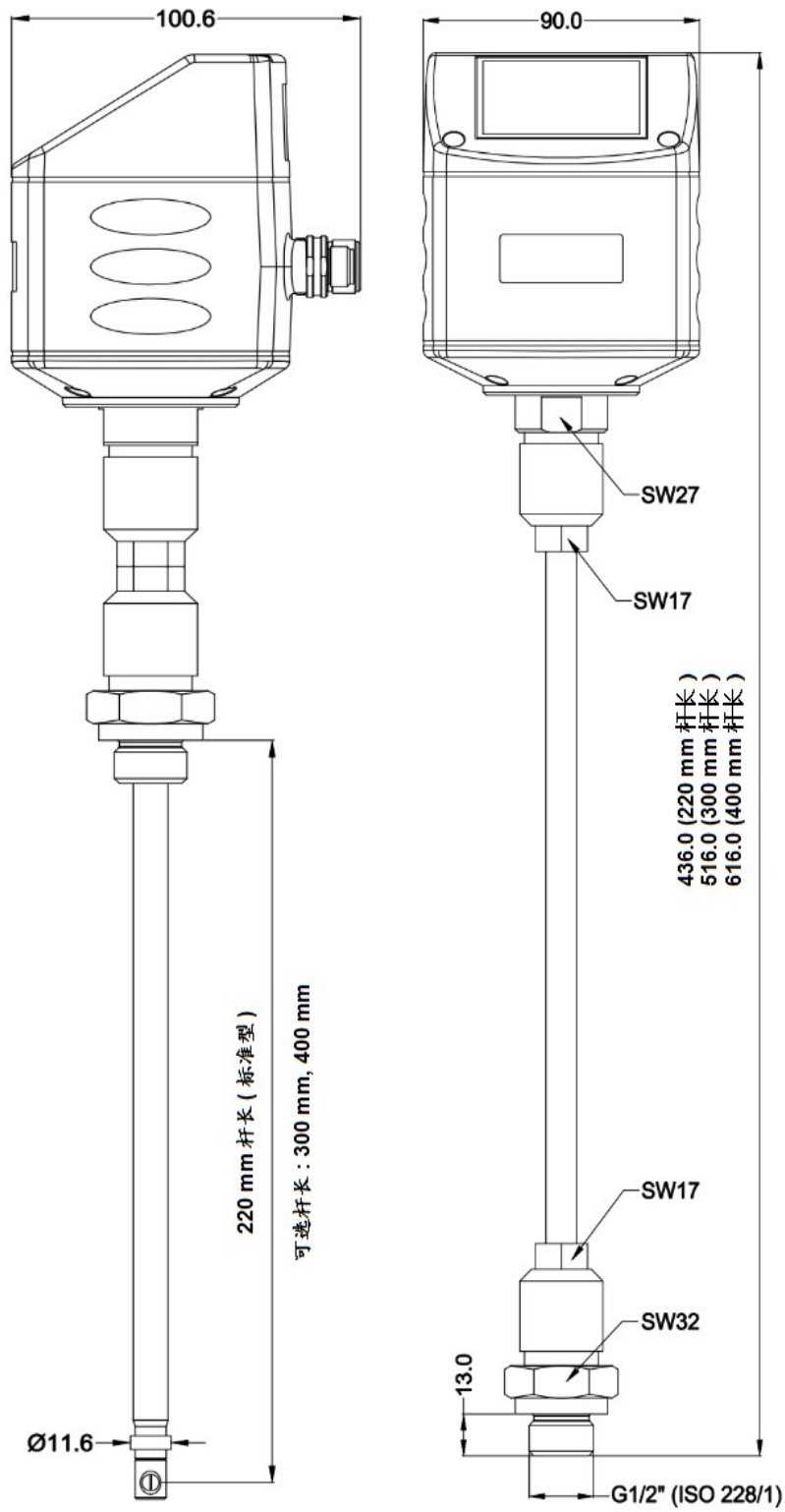
*Specified accuracy is valid only within the minimum and maximum flow rates that are indicated in section 5.5.

5.5 Volumetric flow ranges

| Inch | DN | Di (mm) | S401-S (m ³ /h) | S401-M (m ³ /h) | S401-H (m ³ /h) |
|--------|-------|------------|-------------------------------|-------------------------------|-------------------------------|
| 1/2" | DN15 | | - | - | - |
| 3/4" | DN20 | | - | - | - |
| 1" | DN25 | 27.3 | 0.5 ... 147.7 | 0.6 ... 294.7 | 0.6 ... 356.9 |
| 1 1/4" | DN32 | 36.0 | 0.9 ... 266.3 | 1.2 ... 531.5 | 1.2 ... 643.5 |
| 1 1/2" | DN40 | 41.9 | 1.2 ... 366.7 | 1.5 ... 731.9 | 1.5 ... 886.2 |
| 2" | DN50 | 53.1 | 2.0 ... 600.1 | 2.5 ... 1197.6 | 3 ... 1450.0 |
| 2 1/2" | DN65 | 68.9 | 3.5 ... 1026.5 | 5.0 ... 2048.6 | 5 ... 2480.4 |
| 3" | DN80 | 80.9 | 5.0 ... 1424.4 | 7.0 ... 2842.7 | 7 ... 3441.9 |
| 4" | DN100 | 100.0 | 10 ... 2183.3 | 12 ... 4357.2 | 12 ... 5275.7 |

| | | | | | |
|-----|-------|-------|----------------|----------------|-----------------|
| 5" | DN125 | 125.0 | 13 ... 3419.6 | 18 ... 6824.4 | 18 ... 8263.1 |
| 6" | DN150 | 150.0 | 18 ... 4930.1 | 25 ... 9838.9 | 25 ... 11913.1 |
| 8" | DN200 | 200.0 | 26 ... 8785.6 | 33 ... 17533.3 | 42 ... 21229.5 |
| 10" | DN250 | 250.0 | 40 ... 13743.9 | 52 ... 27428.5 | 60 ... 33210.7 |
| 12" | DN300 | 300.0 | 60 ... 19814.8 | 80 ... 39544.1 | 100 ... 47880.4 |

6 Dimensional drawing



7 Determining the installation point

In order to maintain the accuracy stated in the technical data, the sensor must be inserted in the center of a straight pipe section with unhindered flow characteristics.

Unhindered flow characteristics are achieved if the section in front of the sensor (inlet) and behind the sensor (outlet) are sufficiently long, absolutely straight and free of obstructions such as edges, seams, curves etc..

Please consider that enough space exists at your site for an adequate installation as described in this manual.



ATTENTION!

Wrong measurement is possible, if the sensor is not installed correctly.

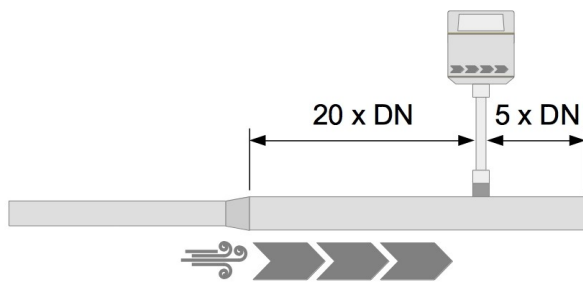
- Careful attention must be paid to the design of the inlet and outlet section. Obstructions can cause counter-flow turbulence as well as turbulence in the direction of the flow.
- The sensor is for indoor use only! At an outdoor installation, the sensor must be protected from solar radiation and rain.
- It is strongly recommended not to install S401 permanently in wet environment as it exists usually right after a compressor outlet.

8 Reserving inlet and outlet sections

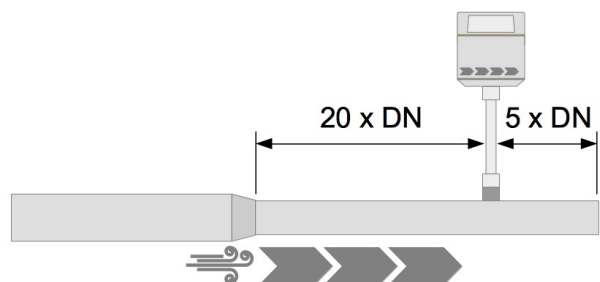
Because the thermal measuring principle may be sensible to inlet and outlet conditions, we recommend the following minimum straight inlet and outlet sections be reserved to ensure an accurate measurement. The S401 sensors should be always installed upstream from obstacles like valves, filter, reductions etc. In common, sensors should be installed as far as possible away from any disturbances.

Note: If there is any combination of the below, the longest straight inlet section must be maintained.

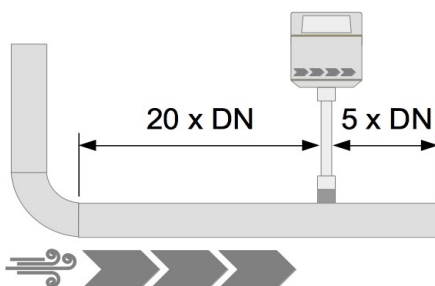
- Expansion



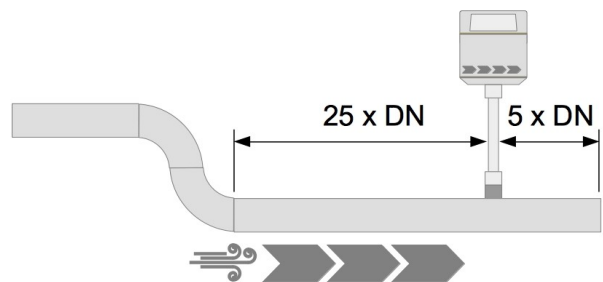
- Reduction



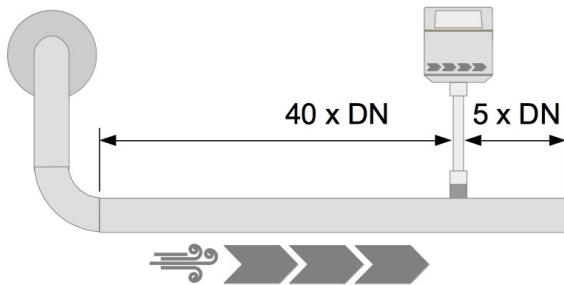
- 90° Bend



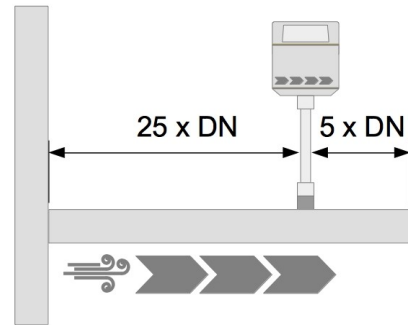
- 2 x 90° Bend



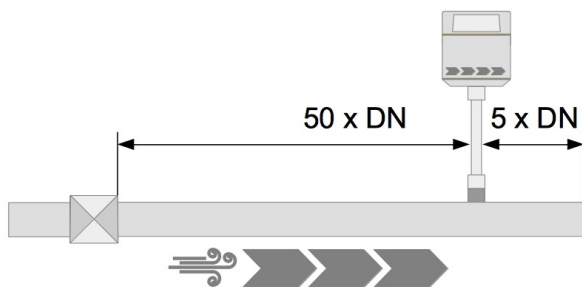
- 3 dimensional Bend



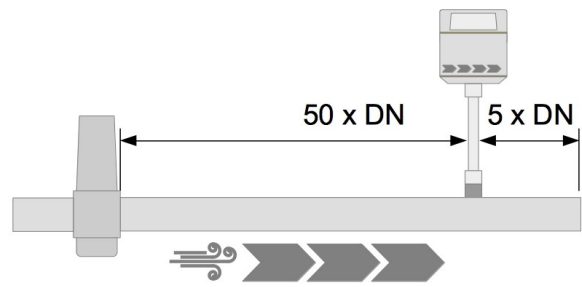
- T-piece



- Shut-off valve



- Filter or similar (unknown objects)



9 Sensor installation

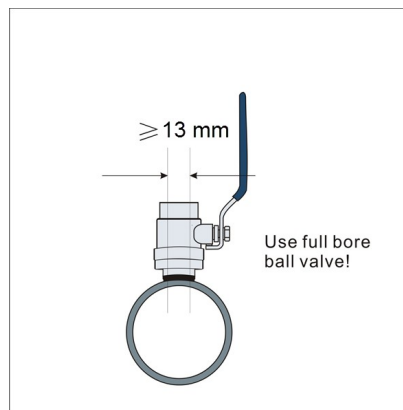
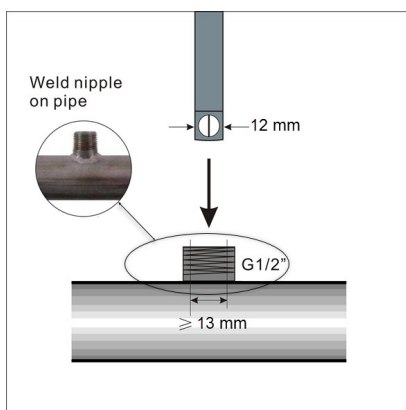
Before installing the sensor, please make sure that all components listed below are included in your package.

| Qty | Description | Item no. |
|-----|-------------------------|--|
| 1 | Sensor | S695 4100 S695 4101 S695 4102 S695 4103 |
| 1 | Sealing ring | No P/N |
| 1 | Alignment key | No P/N |
| 2 | M12 plug | C219 0059 |
| 1 | Instruction manual | No P/N |
| 1 | Calibration certificate | No P/N |

9.1 Installation requirements

To install the sensor, a ball valve or a nozzle is needed.

- The inner thread must be G 1/2".
- The diameter of the hole must be ≥ 13 mm, otherwise the shaft can not be inserted.

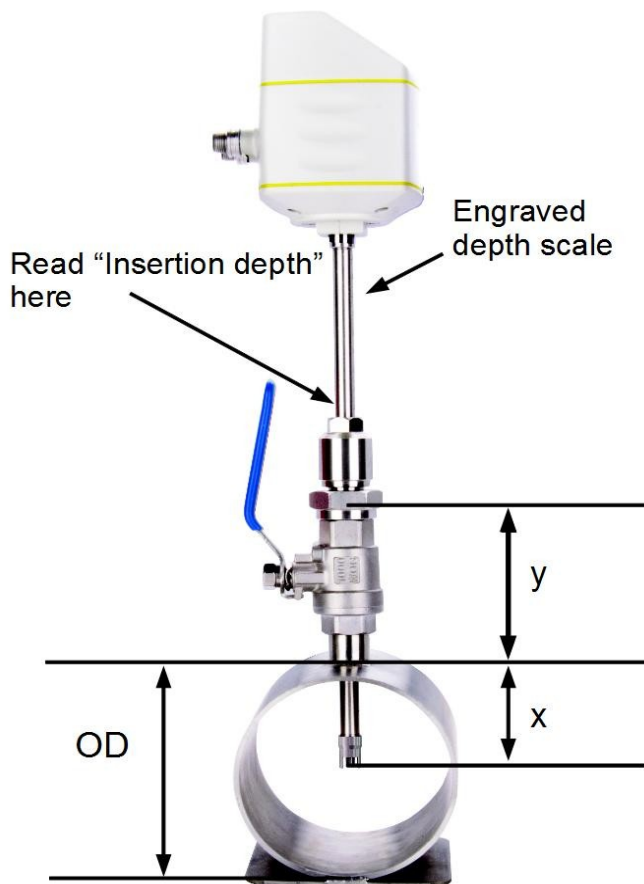


9.2 Installation procedure

The following steps explain the procedure of an appropriate installation.

9.2.1 Calculating the installation depth

Center installation is the default and recommended installation method. The sensor tip must be placed in the center of the pipe. The meter shaft has a scale engraved. To determine the right position, please calculate the insertion depth as described below.



Insertion depth = $x + y$

$x = \frac{OD}{2}$; OD is Outer Diameter of the pipe

y = length of the ball valve

Calculation example:

A 2"-diameter pipe and an 87 mm-length ball valve:

$OD = 60.3 \text{ mm}$

$x = \frac{OD}{2} = \frac{60.3 \text{ mm}}{2} = 30.15 \text{ mm}$

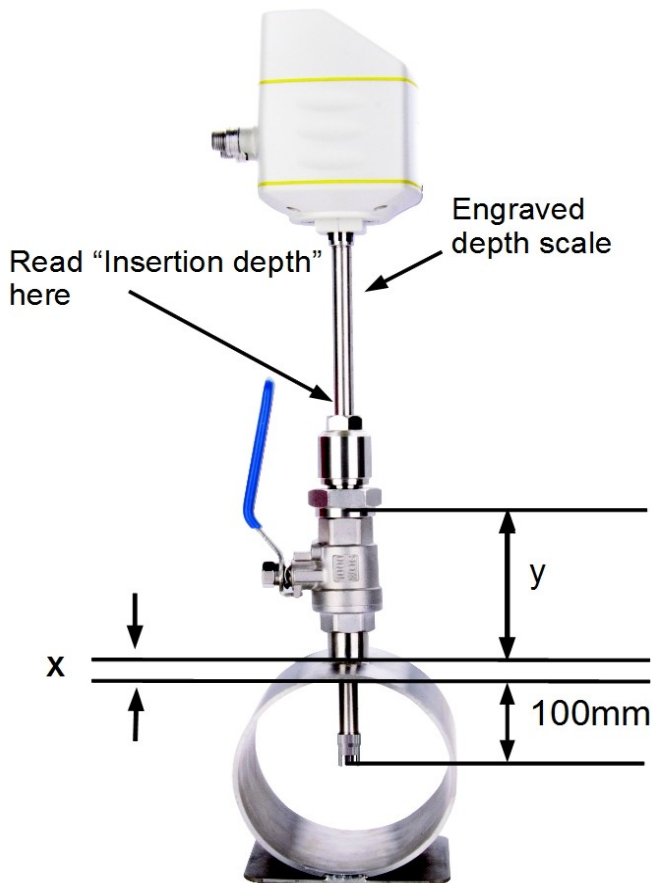
$y = 87 \text{ mm}$;

Insertion depth

= $30.15 \text{ mm} + 87 \text{ mm} = 117.15 \text{ mm}$

For bigger pipe diameters (>200 mm), the sensor can be installed with only a 100 mm insertion depth as the alternative. This allows one sensor to be used for all pipe sizes.

Note: The 100 mm installation method requires a setting through the S4C-FS app or the service software.



Insertion depth = $x + y + 100$
 x is the wall thickness of pipe
 y = length of the ball valve

Calculation example:

A 12"-diameter pipe with the wall thickness of 9 mm and a 87 mm-length ball valve.

$x = 9 \text{ mm}$; $y = 87 \text{ mm}$

Insertion depth
 = $9 \text{ mm} + 87 \text{ mm} + 100 \text{ mm} = 196 \text{ mm}$

9.2.2 Installing the sensor

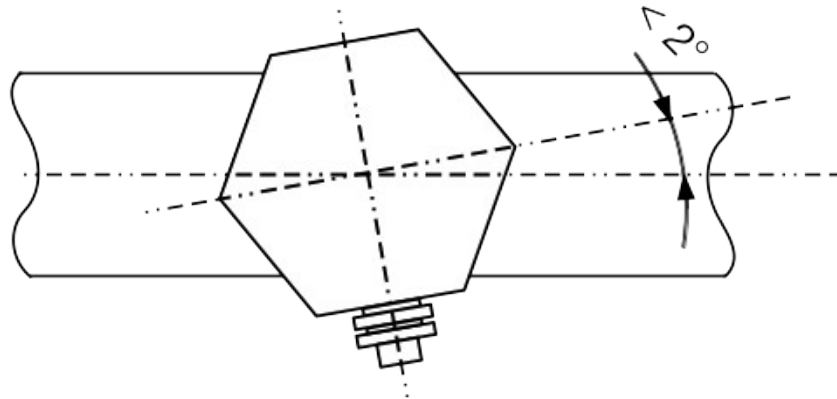


First please observe the flow direction indicated on the housing or on the shaft. It must match the flow direction of the compressed air or gas.



1. Ball valve has to be closed.
2. The sensor head must be completely covered by the connection thread (see photo on the left).
3. Underlay the "O-ring" at the thread of the ball valve before screwing the flow sensor.
4. Screw the connection thread tightly to the ball valve and align flow sensor to flow direction.
5. Open ball valve.
6. Move flow sensor slightly to the determined insertion depth by means of the scale.
7. Tighten the clamp sleeve at the connection thread so that the flow sensor can not longer be moved by the pressure in the pipe, however it should be possible to move the sensor shaft manually.
8. With the aid of the alignment key make sure that the actual flow direction is same as the arrow shows (the angle deviation should not be larger than $\pm 2^\circ$ to the perfect position, please see picture on the next page).
9. Tighten clamp sleeve with clamping torque 20 ... 30 Nm.
10. During the final check control the installation depth again because sometimes the shaft is moved from its original position due the compressed air.

Maximum angle deviation of a proper installation:

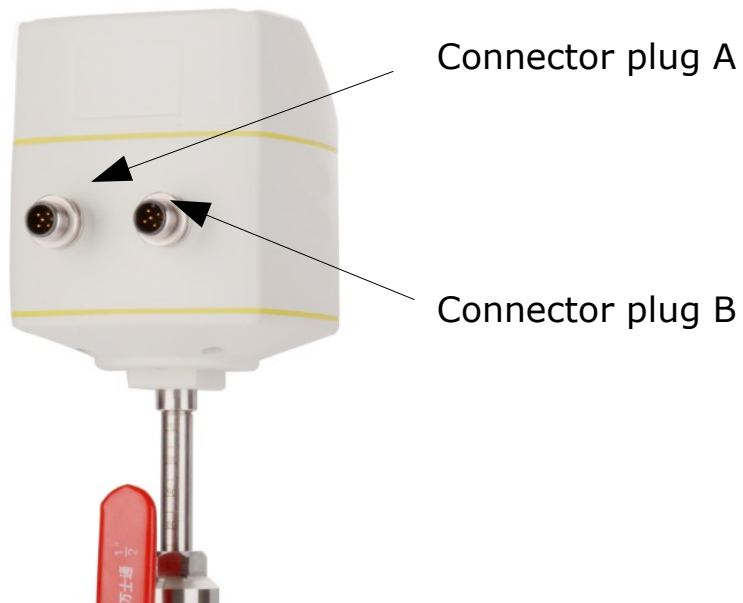


9.2.3 Removing the sensor

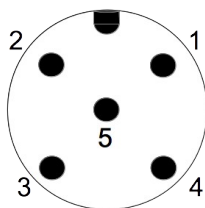
1. Hold the flow sensor.
2. Release the clamp sleeve at the connection thread.
3. Pull out the shaft slowly until the value "10" can be read at the scale.
4. Close the ball valve.
5. Release the connection thread and unscrew the flow sensor.

9.3 Electrical connection

The flow sensor is equipped with two Connector plugs "A" and "B". The cables are connected to the sensor through the M12 connector.



M12 Connection pins



Connection pins

M12 pin assignment

| Output Version | Connector | Pin 1 | Pin 2 | Pin 3 | Pin 4 | Pin 5 |
|---|-----------|-------|-------|-------|-------|-------|
| Modbus (P/N: A1411) | A | SDI | -VB | +VB | DIR | DIR |
| | B | GND | -VB | +VB | D+ | D- |
| 4 ... 20 mA plus pulse (P/N: A1410) | A | SDI | -VB | +VB | DIR | DIR |
| | B | NA | SW | SW | +I | -I |
| 4 ... 20 mA plus pulse, compatible to S400 (P/N: A1413) | A | SDI | -VB | +VB | +I | +P |
| | B | NA | -VB | DIR | SW | SW |
| Wire colour | | brown | white | blue | black | grey |

Legend to pin assignment

| | |
|------|-------------------------------|
| GND: | Ground for Modbus |
| SDI: | Digital signal (internal use) |
| -VB: | Negative supply voltage |
| +VB: | Positive supply voltage |
| +I: | Positive 4 ... 20 mA signal |
| -I: | Negative 4 ... 20 mA signal |
| +P: | Pulse output |

| | |
|-----|-----------------------|
| SW: | Isolated pulse output |
| DIR | Flow direction input |
| D+: | Modbus data + |
| D-: | Modbus data - |
| M: | M-Bus data |
| NA: | Not applicable |



ATTENTION!

Do not screw the M12 plug using force. Otherwise, it may damage the connecting pins.

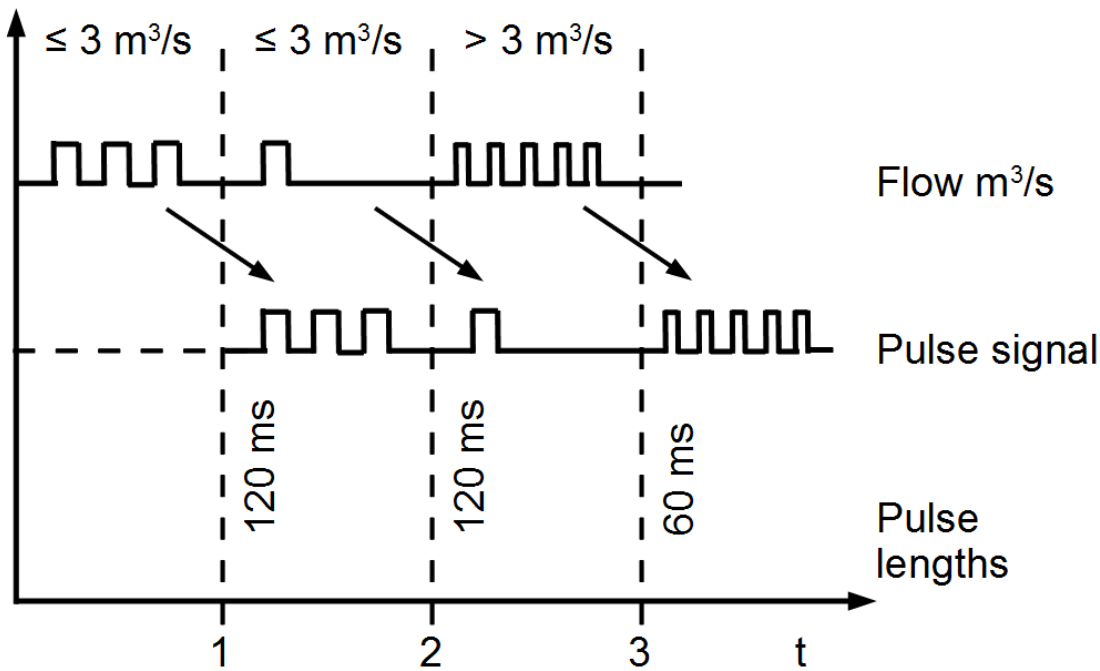
10 Sensor signal outputs

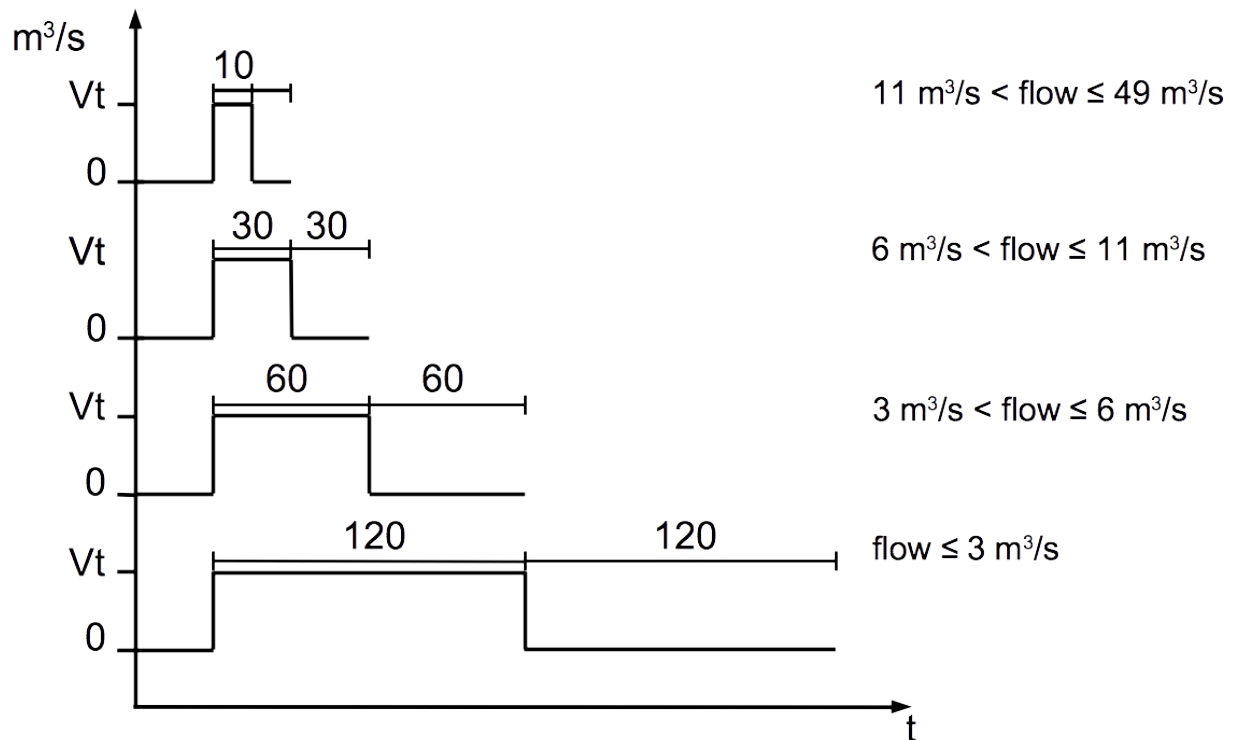
10.1 Analog output

The sensor has an analog output range of 4 ... 20 mA. This output can be scaled to match a desired measuring range. Standard scaling is from 0 to max flow. The corresponding flow in different pipe sizes can be found in the Appendix section. For other ranges, please contact the manufacturer.

10.2 Pulse output

The sensor will send out one pulse per consumption unit. This pulse output can be connected to an external pulse counter to count the total consumption. The number of m³ per second are summed up and indicated after one second. Pulse length depends on flow rate.



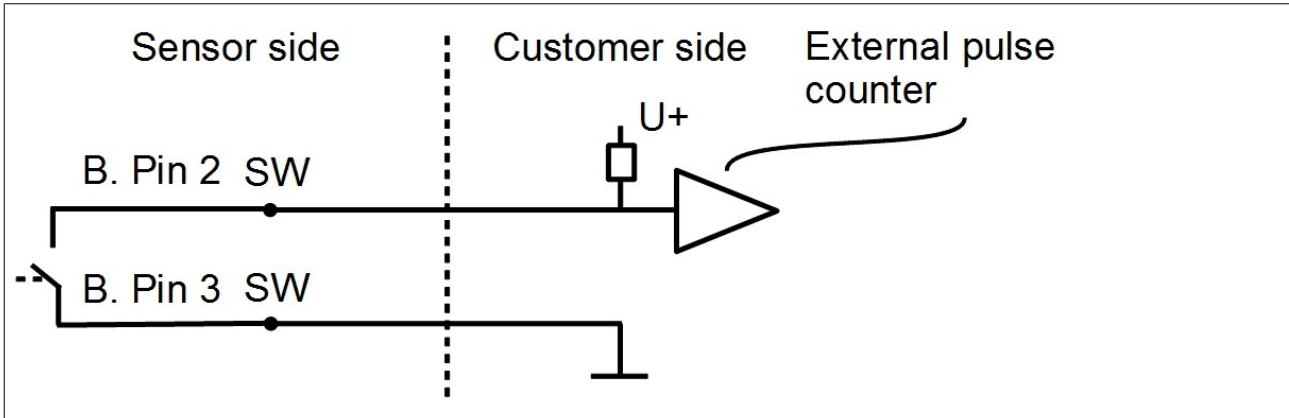


In case the flow rate is too high the S401 can not output the pulses with default settings (one pulse per consumption unit). For this the pulse can be set by our service software or a connected display to 1 pulse per 10 consumption units or 1 pulse per 100 consumption units. For example, if set to 1 pulse per 10 m³, the sensor will send one pulse each 10 m³. Example (1 pulse per 10 m³):

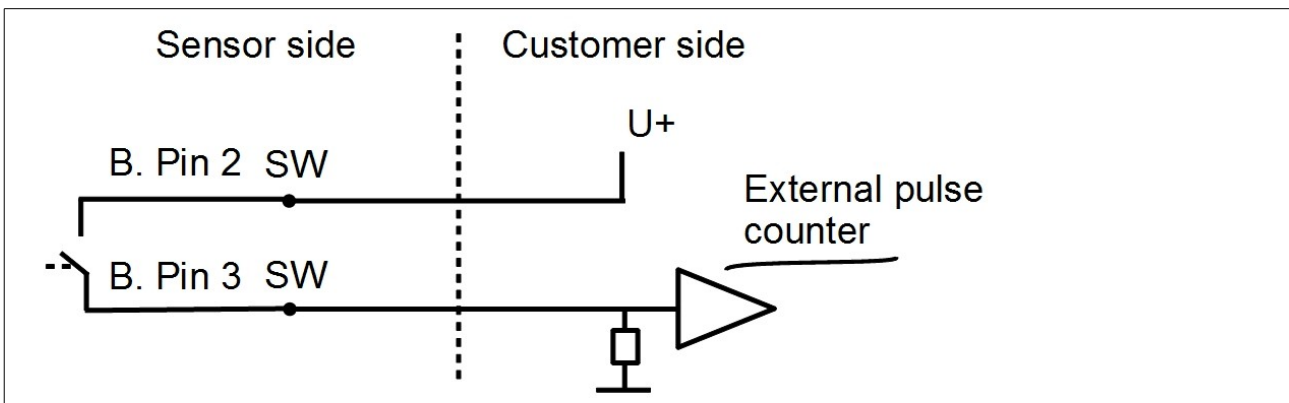
| Volumetric flow [m ³ /s] | Volumetric flow [m ³ /h] | Pulse length [ms] | Max. pulse output per hour |
|-------------------------------------|-------------------------------------|-------------------|----------------------------|
| ≤ 3 | ≤ 10800 | 120 | 1080 |
| > 3 | > 10800 | 60 | 2880 |
| > 6 | > 21600 | 30 | 3960 |

10.2.1 Pulse connection diagram

Variant 1:



Variant 2:



10.3 Modbus output

| | |
|-----------------------------|------------|
| Mode | : RTU |
| Baud rate | : 19200 |
| Device address | : 1 |
| Framing / parity / stop bit | : 8, N, 1 |
| Response time | : 1 second |
| Response delay | : 0 ms |
| Inter-frame spacing | : 7 char |

Remarks

- Modbus communication settings can be changed by the service software.

| Index | Channel description | Resolution | Format | Length | Modbus address |
|-------|---------------------------|------------|--------|--------|----------------|
| 1 | Flow | 0.1 | FLOAT | 4-Byte | 6 |
| 2 | Consumption | 1 | UNIT32 | 4-Byte | 8 |
| 3 | Temperature | 0.1 | FLOAT | 4-Byte | 0 |
| 4 | Reverse consumption | 1 | UNIT32 | 4-Byte | 14 |
| 5 | Flow Direction Indication | 1 | UNIT32 | 4-Byte | 42 |

Remark

- All numbers are in the little-endian format.
- Function code: 03.
- Different units have different resolutions.
- The measurement value is always available in the programmed physical unit.

| Flow direction | Flow direction indication |
|----------------|---------------------------|
| Forward | 0 |
| Reverse | 1 |

11 Sensor display (option)

With the Sensor display it is possible to show the value of the flow and the consumption. Moreover it shows error messages and it is possible to change the configuration setting of the sensor.



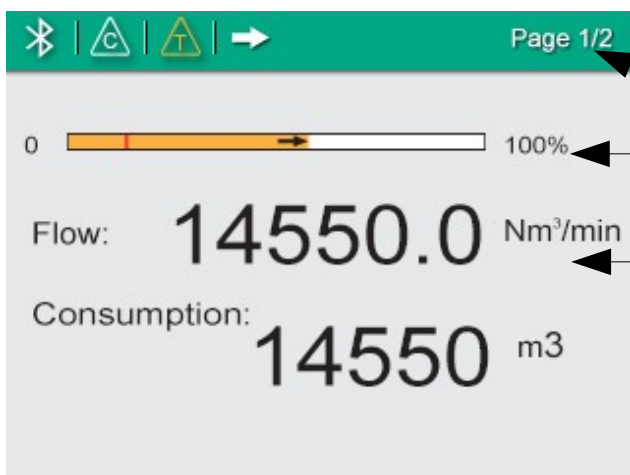
“Enter key” =

“Up key” =

“Down key” =

11.1 Starting process

After powered up, the display starts automatically with an initialisation procedure. During the next eight seconds the display will show the current software version and build the connection to the sensor. Now the display goes to the standard mode, showing the online values.



Home page:

- Status bar
- Moving bar to indicate flow value
- Measuring values

Icons are shown in the status bar indicating status or warnings for the sensor in service. The following table provides descriptions for these icons.

| Icon | Description |
|------|----------------------------------|
| | Calibration expired |
| | Temperature over operating range |
| | Flows over measuring range |
| | Pressure over operating range |

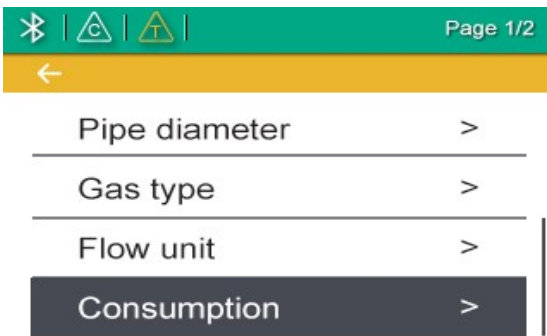
| Icon | Description |
|------|----------------------------|
| | Pressure sensor damaged |
| | Temperature sensor damaged |
| | Flow direction |

11.2 Configuration using the display

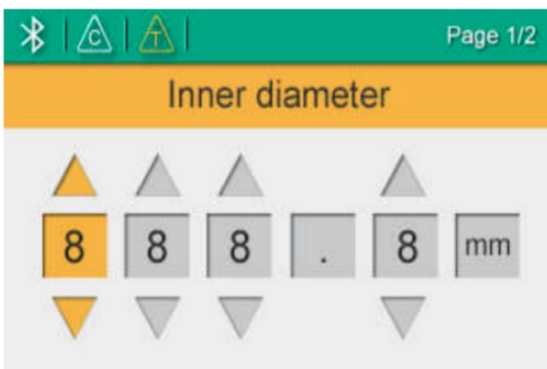
The following settings can be changed via display or service software.

- Pipe diameter – for flow calculation.
- Gas type – select the gas to be measured.
- Flow unit – select unit for flow value.

For this please observe the following steps:



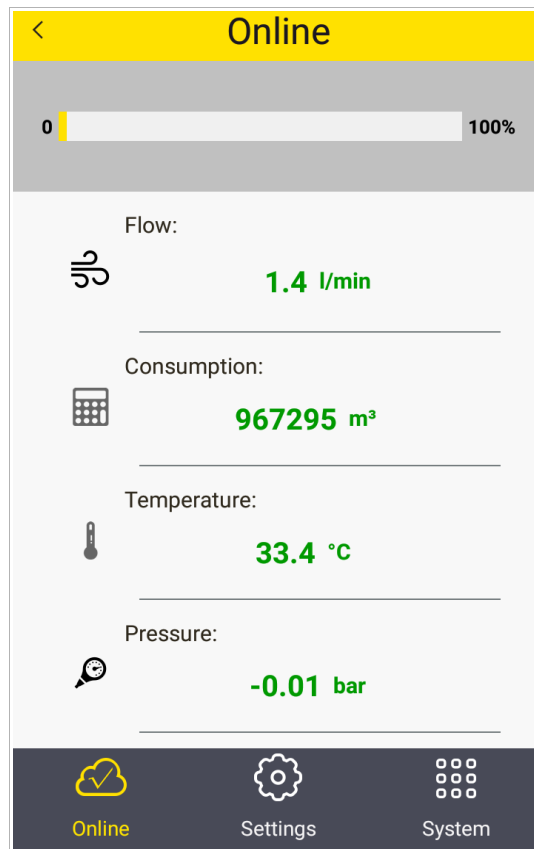
1. Please press "Enter" (>3s) key to check and change settings (unlock code:12).
2. Use the "Up" and "Down" key on the keyboard to choose the setting which should be changed.



3. Also use these two buttons to select desired entry box or adjust the values.
4. Please press "Enter" button to confirm the changes.

12 Service App S4C-FS

S4C-FS is an Android-based app that is designed to view online measurements and change settings for SUTO flow meters remotely.



You can download S4C-FS from the Google Play Store or SUTO's website. To change settings, you need to scan the QR code on the calibration certificate using the app. This ensures that only authorized users can access the sensor settings.

13 Calibration

The sensor is calibrated ex work. The exact calibration date is printed on the certificate which is supplied together with the sensor. The accuracy of the sensor is regulated by the onsite conditions, and parameters like oil, high humidity or other impurities can affect the calibration and furthermore the accuracy. However we recommend to calibrate the instrument at least once per year. The calibration is excluded from the instruments warranty. For this please contact the manufacturer.

14 Maintenance

To clean the sensor it is recommended to use distilled water or isopropyl alcohol only.



ATTENTION!

Do not touch the surface of the sensor plate.

Avoid mechanical impact on the sensor (e.g with a sponge or a brush).

If the contamination can not be removed the sensor must be inspected and maintained by the manufacturer.

15 Disposal or waste



Electronic devices are recyclable material and do not belong in the household waste.

The sensor, the accessories and its packings must be disposed according to your local statutory requirements.

The dispose can also be carried by the manufacturer of the product, for this please contact the manufacturer.

16 Warranty

SUTO provides a warranty for this product of 24 months covering the material and workmanship under the stated operating conditions from the date of delivery. Please report any findings immediately and within the warranty time. If faults occur during the warranty time SUTO will repair or replace the defective unit, without charge for labour and material costs but there is a charge for other service such as transport

and packing costs.

Excluded from this warranty is:

- Damage caused by:
 - Improper use and non-adherence to the instruction manual.
 - Use of unsuitable accessories.
 - External influences (e.g. damage caused by vibration, damage during transportation, excess heat or moisture).

The warranty is cancelled:

- If the user opens the measurement instrument without a direct request written in this instruction manual.
- If repairs or modifications are undertaken by third parties or unauthorised persons.
- If the serial number has been changed, damaged or removed.
Other claims, especially those for damage occurring outside the instrument are not included unless responsibility is legally binding.

Warranty repairs do not extend the period of warranty.



ATTENTION!

Batteries have a reduced warranty time of 12 month.

17 Appendix A - Analogue output

Scaling table of analogue output:

Standard range medium: Air at ISO 1217; 20°C; 1000 mbar

| Tube | | | Flow | | | | | | | |
|--------|-------|----------------|-------------------|---------------------|-----------|----------|----------|----------|---------|-------|
| inch | PLF | mm | m ³ /h | m ³ /min | l/min | l/s | cfm | kg/h | kg/min | kg/s |
| 1/2" | 0.671 | 16.10 | 45.6 | 0.76 | 759.8 | 12.66 | 26.8 | 54.1 | 0.90 | 0.02 |
| 3/4" | 0.722 | 21.70 | 89.1 | 1.49 | 1485.2 | 24.75 | 52.4 | 105.8 | 1.76 | 0.03 |
| 1" | 0.746 | 25.00 | 122.2 | 2.04 | 2036.8 | 33.95 | 71.9 | 145.2 | 2.42 | 0.04 |
| | 0.750 | 26.00 | 132.9 | 2.21 | 2214.8 | 36.91 | 78.2 | 157.8 | 2.63 | 0.04 |
| | 0.756 | 27.30 | 147.7 | 2.46 | 2461.3 | 41.02 | 86.9 | 175.4 | 2.92 | 0.05 |
| | 0.761 | 28.50 | 162.0 | 2.70 | 2700.2 | 45.00 | 95.4 | 192.4 | 3.21 | 0.05 |
| | 0.767 | 30.00 | 180.9 | 3.02 | 3015.5 | 50.26 | 106.5 | 214.9 | 3.58 | 0.06 |
| 1 1/4" | 0.776 | 32.80 | 218.8 | 3.65 | 3647.0 | 60.78 | 128.8 | 259.9 | 4.33 | 0.07 |
| | 0.784 | 36.00 | 266.3 | 4.44 | 4438.6 | 73.98 | 156.7 | 316.3 | 5.27 | 0.09 |
| | 0.785 | 36.30 | 271.1 | 4.52 | 4518.6 | 75.31 | 159.6 | 322.0 | 5.37 | 0.09 |
| 1 1/2" | 0.792 | 39.30 | 320.6 | 5.34 | 5343.6 | 89.06 | 188.7 | 380.8 | 6.35 | 0.11 |
| | 0.793 | 40.00 | 332.6 | 5.54 | 5542.6 | 92.38 | 195.7 | 395.0 | 6.58 | 0.11 |
| | 0.797 | 41.80 | 365.0 | 6.08 | 6083.2 | 101.39 | 214.8 | 433.5 | 7.23 | 0.12 |
| | 0.800 | 43.10 | 389.5 | 6.49 | 6491.8 | 108.20 | 229.3 | 462.6 | 7.71 | 0.13 |
| | 0.804 | 45.80 | 442.0 | 7.37 | 7367.3 | 122.79 | 260.2 | 525.0 | 8.75 | 0.15 |
| 2" | 0.810 | 50.00 | 530.8 | 8.85 | 8846.0 | 147.43 | 312.4 | 630.4 | 10.51 | 0.18 |
| | 0.811 | 51.20 | 557.2 | 9.29 | 9287.1 | 154.79 | 328.0 | 661.9 | 11.03 | 0.18 |
| | 0.812 | 53.10 | 600.1 | 10.00 | 10001.5 | 166.69 | 353.2 | 712.8 | 11.88 | 0.20 |
| | 0.813 | 54.50 | 632.9 | 10.55 | 10548.8 | 175.81 | 372.5 | 751.8 | 12.53 | 0.21 |
| | 0.818 | 57.50 | 708.9 | 11.81 | 11814.4 | 196.91 | 417.2 | 842.0 | 14.03 | 0.23 |
| | 0.820 | 60.00 | 773.7 | 12.90 | 12895.5 | 214.92 | 455.4 | 919.0 | 15.32 | 0.26 |
| | 0.823 | 64.20 | 889.1 | 14.82 | 14818.0 | 246.97 | 523.3 | 1056.0 | 17.60 | 0.29 |
| 2 1/2" | 0.824 | 65.00 | 912.5 | 15.21 | 15208.1 | 253.47 | 537.1 | 1083.8 | 18.06 | 0.30 |
| | 0.825 | 68.90 | 1026.5 | 17.11 | 17108.6 | 285.14 | 604.2 | 1219.3 | 20.32 | 0.34 |
| | 0.827 | 70.30 | 1071.2 | 17.85 | 17854.1 | 297.57 | 630.5 | 1272.4 | 21.21 | 0.35 |
| | 0.827 | 71.10 | 1095.8 | 18.26 | 18262.7 | 304.38 | 644.9 | 1301.5 | 21.69 | 0.36 |
| | 0.829 | 76.10 | 1258.3 | 20.97 | 20972.2 | 349.54 | 740.6 | 1494.6 | 24.91 | 0.42 |
| 3" | 0.830 | 80.00 | 1392.3 | 23.20 | 23204.9 | 386.75 | 819.5 | 1653.7 | 27.56 | 0.46 |
| | 0.831 | 82.50 | 1482.5 | 24.71 | 24707.6 | 411.79 | 872.5 | 1760.8 | 29.35 | 0.49 |
| | 0.831 | 84.90 | 1570.0 | 26.17 | 26166.0 | 436.10 | 924.0 | 1864.7 | 31.08 | 0.52 |
| | 0.832 | 90.00 | 1766.4 | 29.44 | 29439.4 | 490.66 | 1039.6 | 2098.0 | 34.97 | 0.58 |
| 4" | 0.833 | 100.00 | 2183.3 | 36.39 | 36388.6 | 606.48 | 1285.1 | 2593.3 | 43.22 | 0.72 |
| | 0.834 | 107.10 | 2507.4 | 41.79 | 41789.4 | 696.49 | 1475.8 | 2978.2 | 49.64 | 0.83 |
| | 0.834 | 110.00 | 2645.0 | 44.08 | 44083.1 | 734.72 | 1556.8 | 3141.6 | 52.36 | 0.87 |
| 5" | 0.835 | 125.00 | 3419.6 | 56.99 | 56993.8 | 949.90 | 2012.7 | 4061.7 | 67.70 | 1.13 |
| | 0.835 | 133.70 | 3912.2 | 65.20 | 65203.4 | 1086.72 | 2302.6 | 4646.8 | 77.45 | 1.29 |
| 6" | 0.836 | 150.00 | 4930.2 | 82.17 | 82169.3 | 1369.49 | 2901.8 | 5855.9 | 97.60 | 1.63 |
| | 0.836 | 159.30 | 5560.5 | 92.67 | 92674.2 | 1544.57 | 3272.8 | 6604.5 | 110.08 | 1.83 |
| | 0.837 | 182.50 | 7306.7 | 121.78 | 121778.9 | 2029.65 | 4300.6 | 8678.7 | 144.65 | 2.41 |
| | 0.837 | 190.00 | 7919.6 | 131.99 | 131993.8 | 2199.90 | 4661.3 | 9406.7 | 156.78 | 2.61 |
| 8" | 0.838 | 200.00 | 8785.7 | 146.43 | 146428.3 | 2440.47 | 5171.1 | 10435.4 | 173.92 | 2.90 |
| | 0.838 | 206.50 | 9366.0 | 156.10 | 156100.8 | 2601.68 | 5512.6 | 11124.7 | 185.41 | 3.09 |
| 10" | 0.839 | 250.00 | 13744.0 | 229.07 | 229067.2 | 3817.79 | 8089.4 | 16324.7 | 272.08 | 4.53 |
| | 0.840 | 260.40 | 14929.1 | 248.82 | 248818.2 | 4146.97 | 8786.9 | 17732.3 | 295.54 | 4.93 |
| 12" | 0.840 | 300.00 | 19815.0 | 330.25 | 330249.9 | 5504.16 | 11662.7 | 23535.6 | 392.26 | 6.54 |
| | 0.840 | 309.70 | 21117.1 | 351.95 | 351951.3 | 5865.85 | 12429.0 | 25082.2 | 418.04 | 6.97 |
| | 0.840 | 339.60 | 25391.4 | 423.19 | 423190.1 | 7053.17 | 14944.8 | 30159.1 | 502.65 | 8.38 |
| | 0.840 | 400.00 | 35226.7 | 587.11 | 587110.9 | 9785.18 | 20733.6 | 41841.1 | 697.35 | 11.62 |
| | 0.840 | 500.00 | 55041.6 | 917.36 | 917360.8 | 15289.35 | 32396.3 | 65376.8 | 1089.61 | 18.16 |
| | 0.840 | 600.00 | 79260.0 | 1321.00 | 1320999.5 | 22016.66 | 46650.7 | 94142.5 | 1569.04 | 26.15 |
| | 0.840 | 700.00 | 107881.6 | 1798.03 | 1798027.1 | 29967.12 | 63496.8 | 128138.5 | 2135.64 | 35.59 |
| | 0.840 | 800.00 | 140906.6 | 2348.44 | 2348443.6 | 39140.73 | 82934.5 | 167364.5 | 2789.41 | 46.49 |
| | 0.840 | 900.00 | 178334.9 | 2972.25 | 2972248.9 | 49537.48 | 104964.0 | 211820.7 | 3530.35 | 58.84 |
| | 0.840 | 1000.00 | 220166.6 | 3669.44 | 3669443.1 | 61157.38 | 129585.2 | 261507.1 | 4358.45 | 72.64 |

Max. range medium: Air at ISO1217; 20°C; 1000 mbar

| Tube | | Flow | | | | | | | |
|--------|--------|-------------------|---------------------|------------|----------|-----------|-----------|---------|-------|
| inch | mm | m ³ /h | m ³ /min | l/min | l/s | cfm | kg/h | kg/min | kg/s |
| 1/2" | 16.10 | 90.98 | 1.52 | 1516.31 | 25.27 | 53.55 | 108.06 | 1.80 | 0.03 |
| 3/4" | 21.70 | 177.84 | 2.96 | 2963.94 | 49.40 | 104.67 | 211.23 | 3.52 | 0.06 |
| 1" | 25.00 | 243.88 | 4.06 | 4064.73 | 67.75 | 143.54 | 289.68 | 4.83 | 0.08 |
| | 26.00 | 265.20 | 4.42 | 4419.99 | 73.67 | 156.09 | 315.00 | 5.25 | 0.09 |
| | 27.30 | 294.72 | 4.91 | 4912.02 | 81.87 | 173.47 | 350.06 | 5.83 | 0.10 |
| | 28.50 | 323.32 | 5.39 | 5388.74 | 89.81 | 190.30 | 384.03 | 6.40 | 0.11 |
| | 30.00 | 361.08 | 6.02 | 6017.98 | 100.30 | 212.52 | 428.88 | 7.15 | 0.12 |
| 1 1/4" | 32.80 | 436.69 | 7.28 | 7278.17 | 121.30 | 257.03 | 518.69 | 8.64 | 0.14 |
| | 36.00 | 531.48 | 8.86 | 8857.96 | 147.63 | 312.82 | 631.27 | 10.52 | 0.18 |
| | 36.30 | 541.06 | 9.02 | 9017.70 | 150.29 | 318.46 | 642.66 | 10.71 | 0.18 |
| 1 1/2" | 39.30 | 639.84 | 10.66 | 10664.07 | 177.73 | 376.60 | 759.99 | 12.67 | 0.21 |
| | 40.00 | 663.68 | 11.06 | 11061.30 | 184.35 | 390.63 | 788.30 | 13.14 | 0.22 |
| | 41.90 | 731.90 | 12.20 | 12198.30 | 203.30 | 430.78 | 869.33 | 14.49 | 0.24 |
| | 43.10 | 777.34 | 12.96 | 12955.60 | 215.93 | 457.52 | 923.30 | 15.39 | 0.26 |
| | 45.80 | 882.17 | 14.70 | 14702.79 | 245.05 | 519.22 | 1047.81 | 17.46 | 0.29 |
| 2" | 50.00 | 1059.23 | 17.65 | 17653.79 | 294.23 | 623.44 | 1258.12 | 20.97 | 0.35 |
| | 51.20 | 1112.05 | 18.53 | 18534.19 | 308.90 | 654.53 | 1320.86 | 22.01 | 0.37 |
| | 53.10 | 1197.59 | 19.96 | 19959.88 | 332.66 | 704.88 | 1422.46 | 23.71 | 0.40 |
| | 54.50 | 1263.13 | 21.05 | 21052.15 | 350.87 | 743.45 | 1500.31 | 25.01 | 0.42 |
| | 57.50 | 1414.66 | 23.58 | 23577.72 | 392.96 | 832.64 | 1680.29 | 28.00 | 0.47 |
| | 60.00 | 1544.12 | 25.74 | 25735.30 | 428.92 | 908.83 | 1834.06 | 30.57 | 0.51 |
| | 64.20 | 1774.33 | 29.57 | 29572.14 | 492.87 | 1044.33 | 2107.49 | 35.12 | 0.59 |
| 2 1/2" | 65.00 | 1821.03 | 30.35 | 30350.57 | 505.84 | 1071.82 | 2162.97 | 36.05 | 0.60 |
| | 68.90 | 2048.60 | 34.14 | 34143.28 | 569.05 | 1205.76 | 2433.26 | 40.55 | 0.68 |
| | 70.30 | 2137.86 | 35.63 | 35631.08 | 593.85 | 1258.30 | 2539.29 | 42.32 | 0.71 |
| | 71.10 | 2186.80 | 36.45 | 36446.65 | 607.44 | 1287.10 | 2597.41 | 43.29 | 0.72 |
| | 76.10 | 2511.24 | 41.85 | 41853.97 | 697.57 | 1478.06 | 2982.77 | 49.71 | 0.83 |
| 3" | 80.90 | 2841.44 | 47.36 | 47357.42 | 789.29 | 1672.41 | 3374.98 | 56.25 | 0.94 |
| | 82.50 | 2958.51 | 49.31 | 49308.50 | 821.81 | 1741.31 | 3514.03 | 58.57 | 0.98 |
| | 84.90 | 3133.15 | 52.22 | 52219.09 | 870.32 | 1844.10 | 3721.45 | 62.02 | 1.03 |
| | 90.00 | 3525.11 | 58.75 | 58751.80 | 979.20 | 2074.80 | 4187.01 | 69.78 | 1.16 |
| 4" | 100.00 | 4357.22 | 72.62 | 72620.27 | 1210.34 | 2564.56 | 5175.37 | 86.26 | 1.44 |
| | 107.10 | 5003.91 | 83.40 | 83398.43 | 1389.97 | 2945.19 | 5943.48 | 99.06 | 1.65 |
| | 110.00 | 5278.56 | 87.98 | 87976.01 | 1466.27 | 3106.84 | 6269.71 | 104.50 | 1.74 |
| 5" | 125.00 | 6824.50 | 113.74 | 113741.61 | 1895.69 | 4016.75 | 8105.93 | 135.10 | 2.25 |
| | 133.70 | 7807.53 | 130.13 | 130125.42 | 2168.76 | 4595.34 | 9273.54 | 154.56 | 2.58 |
| 6" | 150.00 | 9839.04 | 163.98 | 163984.07 | 2733.07 | 5791.04 | 11686.51 | 194.78 | 3.25 |
| | 159.30 | 11096.91 | 184.95 | 184948.45 | 3082.47 | 6531.40 | 13180.56 | 219.68 | 3.66 |
| | 182.50 | 14581.94 | 243.03 | 243032.33 | 4050.54 | 8582.61 | 17319.98 | 288.67 | 4.81 |
| | 190.00 | 15805.08 | 263.42 | 263418.04 | 4390.30 | 9302.52 | 18772.79 | 312.88 | 5.21 |
| 8" | 200.00 | 17533.48 | 292.22 | 292224.67 | 4870.41 | 10319.82 | 20825.73 | 347.10 | 5.78 |
| | 206.50 | 18691.68 | 311.53 | 311527.93 | 5192.13 | 11001.51 | 22201.39 | 370.02 | 6.17 |
| 10" | 250.00 | 27428.75 | 457.15 | 457145.91 | 7619.10 | 16143.96 | 32579.03 | 542.98 | 9.05 |
| | 260.40 | 29793.76 | 496.56 | 496562.71 | 8276.05 | 17535.95 | 35388.11 | 589.80 | 9.83 |
| 12" | 300.00 | 39544.48 | 659.07 | 659074.72 | 10984.58 | 23275.01 | 46969.71 | 782.83 | 13.05 |
| | 309.70 | 42143.03 | 702.38 | 702383.91 | 11706.40 | 24804.46 | 50056.19 | 834.27 | 13.90 |
| | 339.60 | 50673.25 | 844.55 | 844554.17 | 14075.90 | 29825.16 | 60188.12 | 1003.14 | 16.72 |
| | 400.00 | 70301.30 | 1171.69 | 1171688.40 | 19528.14 | 41377.80 | 83501.71 | 1391.70 | 23.19 |
| | 500.00 | 109845.79 | 1830.76 | 1830763.12 | 30512.72 | 64652.81 | 130471.43 | 2174.52 | 36.24 |
| | 600.00 | 158177.93 | 2636.30 | 2636298.89 | 43938.31 | 93100.05 | 187878.86 | 3131.31 | 52.19 |
| | 700.00 | 215297.74 | 3588.30 | 3588295.71 | 59804.93 | 126719.51 | 255724.00 | 4262.07 | 71.03 |

18 Appendix B - Modbus communication example

03 (0x03) Read holding register

| Request | | Response | |
|---------------------|---------|---------------|---------|
| Slave address | 1 byte | Slave address | 1 byte |
| Function code | 1 byte | Function code | 1 byte |
| Starting address Hi | 1 byte | Byte count | 1 byte |
| Starting address Lo | 1 byte | Register Hi | 1 byte |
| No. of points Hi | 1 byte | Register Lo | 1 byte |
| No. of points Lo | 1 byte | : | : |
| CRC | 2 bytes | Register Hi | 1 byte |
| | | Register Lo | 1 byte |
| | | CRC | 2 bytes |

05 (0x05) Write single coil

| Request | | Response | |
|-----------------|---------|-----------------|---------|
| Slave address | 1 byte | Slave address | 1 byte |
| Function code | 1 byte | Function code | 1 byte |
| Coil address Hi | 1 byte | Coil address Hi | 1 byte |
| Coil address Lo | 1 byte | Coil address Lo | 1 byte |
| Data Hi | 1 byte | Data Hi | 1 byte |
| Data Lo | 1 byte | Data L | 1 byte |
| CRC | 2 bytes | CRC | 2 bytes |

16 (0x10) Write multiple registers

| Request | | Response | |
|------------------------|---------|------------------------|---------|
| Slave address | 1 byte | Slave address | 1 byte |
| Function code | 1 byte | Function code | 1 byte |
| Starting address Hi | 1 byte | Starting address Hi | 1 byte |
| Starting address Lo | 1 byte | Starting address Lo | 1 byte |
| No. of registers Hi | 1 byte | No. of registers Hi | 1 byte |
| No. of registers Lo | 1 byte | No. of registers Lo | 1 byte |
| Byte count | 1 byte | CRC | 2 bytes |
| Data Hi | 1 byte | | |
| Data Lo | 1 byte | | |
| : | : | | |
| Data Hi | 1 byte | | |
| Data Lo | 1 byte | | |
| CRC | 2 bytes | | |

17 (0x11) Report slave ID

| Request | | Response | |
|---------------|---------|-------------------------|----------|
| Slave address | 1 byte | Slave address | 1 byte |
| Function code | 1 byte | Function code | 1 byte |
| CRC | 2 bytes | Byte count | 1 byte |
| | | Slave ID | 2 bytes |
| | | Device run indicator | 2 bytes |
| | | Product code | 2 bytes |
| | | Product name | 20 bytes |
| | | CRC | 2 bytes |

19 Appendix C - LRC and CRC calculation

LRC generation

The Longitudinal Redundancy Checking (LRC) field is one byte, containing an 8-bit binary value. The LRC value is calculated by the transmitting device, which appends the LRC to the message. The device that receives recalculates an LRC during receipt of the message, and compares the calculated value to the actual value it received in the LRC field. If the two values are not equal, an error results.

The LRC is calculated by adding together successive 8-bit bytes in the message, discarding any carries, and then two's complementing the result. The LRC is an 8-bit field, therefore each new addition of a character that would result in a value higher than 255 decimal simply 'rolls over' the field's value through zero. Because there is no ninth bit, the carry is discarded automatically.

A procedure for generating an LRC is:

1. Add all bytes in the message, excluding the starting 'colon' and ending CRLF. Add them into an 8-bit field, so that carries will be discarded.
2. Subtract the final field value from FF hex (all 1's) to produce the ones-complement.
3. Add 1 to produce the twos-complement.

Placing the LRC into the Message

When the 8-bit LRC (2 ASCII characters) is transmitted in the message, the high-order character will be transmitted first, followed by the low-order character. For example, if the LRC value is 61 hex (0110 0001):

| Colon | Addr | Func | Data Count | Data | Data | Data | Data | LRC Hi | LRC Lo | CR | LF |
|-------|------|------|------------|------|------|------|------|-------------|-------------|----|----|
| | | | | | | | | "6" 0x36 | "1" 0x31 | | |

Example: an example of a C language function performing LRC generation is shown below.

The function takes two arguments:

```
unsigned char *auchMsg; /* A pointer to the message buffer containing binary data */
                    /* to be used for generating the LRC, */
unsigned short usDataLen; /* The quantity of bytes in the message buffer. */
```

LRC generation function

```
static unsigned char LRC(unsigned char *auchMsg, unsigned short usDataLen)
{
    unsigned char uchLRC = 0 ;                /* LRC char initialized */
    while (usDataLen-->0)                    /* pass through message buffer */
        uchLRC += *auchMsg++;                /* add buffer byte without carry */
    return ((unsigned char)(-((char)uchLRC))) ; /* return twos complement */
}
```

CRC generation

The **C**yclical **R**edundancy **C**hecking (CRC) field is two bytes, containing a 16-bit binary value. The CRC value is first generated by the transmitting device, which appends the CRC to the message. The device that receives recalculates a CRC during receipt of the message, and compares the calculated value to the actual value it received in the CRC field. If the two values are not equal, an error results.

There are many ways of calculating a CRC checksum. To ensure correct calculation, please refer to [Reference 1] Modbus over serial line, where detailed descriptions and programming examples are available. Even more information and programming examples in different programming languages can be found on: www.modbus.org searching for CRC.

Below is a short text description of how the CRC is calculated. This description is then followed by a C programming example.

1. Load a 16-bit register with FFFF hex (all 1's). Call this the CRC register.
2. Exclusive OR the first 8-bit byte of the message with the low-order byte of the 16-bit CRC register, putting the result in the CRC register.
3. Shift the CRC register one bit to the right (toward the LSB), zero-filling the MSB. Extract and examine the LSB.
4. (If the LSB was 0): Repeat step 3 (another shift). (If the LSB was 1): Exclusive OR the CRC register with the polynomial value 0xA001 (1010 0000 0000 0001).
5. Repeat steps 3 and 4 until 8 shifts have been performed. When this is done, a complete 8-bit byte will have been processed.
6. Repeat steps 2 through 5 for the next 8-bit byte of the message. Continue doing this until all bytes have been processed.

7. The final content of the CRC register is the CRC value.
8. When the CRC is placed into the message, its upper and lower bytes must be swapped as described below.

Placing the CRC into the message

When the 16-bit CRC (two 8-bit bytes) is transmitted in the message, the low-order byte will be transmitted first, followed by the high-order byte.

For example, if the CRC value is 1241 hex (0001 0010 0100 0001):

| Addr | Func | Data count | Data | Data | Data | Data | CRC Lo | CRC Hi |
|------|------|------------|------|------|------|------|--------|--------|
| | | | | | | | 0x41 | 0x12 |

High-order byte table

```

/* Table of CRC values for high-order byte */
static unsigned char auchCRCHi[] = {
0x00, 0xC1, 0x81, 0x40, 0x01, 0xC0, 0x80, 0x41, 0x01, 0xC0, 0x80, 0x41, 0x00,
0xC1, 0x81, 0x40, 0x01, 0xC0, 0x80, 0x41, 0x00, 0xC1, 0x81, 0x40, 0x00, 0xC1,
0x81, 0x40, 0x01, 0xC0, 0x80, 0x41, 0x01, 0xC0, 0x80, 0x41, 0x00, 0xC1, 0x81,
0x40, 0x00, 0xC1, 0x81, 0x40, 0x01, 0xC0, 0x80, 0x41, 0x00, 0xC1, 0x81, 0x40,
0x01, 0xC0, 0x80, 0x41, 0x01, 0xC0, 0x80, 0x41, 0x00, 0xC1, 0x81, 0x40, 0x01,
0xC0, 0x80, 0x41, 0x00, 0xC1, 0x81, 0x40, 0x00, 0xC1, 0x81, 0x40, 0x01, 0xC0,
0x80, 0x41, 0x01, 0xC0, 0x80, 0x41, 0x00, 0xC1, 0x81, 0x40, 0x01, 0xC0, 0x80,
0x41, 0x00, 0xC1, 0x81, 0x40, 0x00, 0xC1, 0x81, 0x40, 0x01, 0xC0, 0x80, 0x41,
0x01, 0xC0, 0x80, 0x41, 0x00, 0xC1, 0x81, 0x40, 0x01, 0xC0, 0x80, 0x41, 0x00,
0xC1, 0x81, 0x40, 0x00, 0xC1, 0x81, 0x40, 0x01, 0xC0, 0x80, 0x41, 0x01, 0xC0,
0x80, 0x41, 0x00, 0xC1, 0x81, 0x40, 0x00, 0xC1, 0x81, 0x40, 0x01, 0xC0, 0x80,
0x41, 0x01, 0xC0, 0x80, 0x41, 0x00, 0xC1, 0x81, 0x40, 0x01, 0xC0, 0x80, 0x41,
0x00, 0xC1, 0x81, 0x40, 0x00, 0xC1, 0x81, 0x40, 0x01, 0xC0, 0x80, 0x41, 0x01,
0xC0, 0x80, 0x41, 0x00, 0xC1, 0x81, 0x40, 0x00, 0xC1, 0x81, 0x40, 0x01, 0xC0,
0x80, 0x41, 0x01, 0xC0, 0x80, 0x41, 0x00, 0xC1, 0x81, 0x40, 0x00, 0xC1,
0x81, 0x40, 0x01, 0xC0, 0x80, 0x41, 0x00, 0xC1, 0x81, 0x40, 0x01, 0xC0, 0x80,
0x41, 0x01, 0xC0, 0x80, 0x41, 0x00, 0xC1, 0x81, 0x40, 0x01, 0xC0, 0x80,
0x41, 0x00, 0xC1, 0x81, 0x40
};
    
```

Low-order byte table

```

/* Table of CRC values for low-order byte */
static char auchCRCLo[] = {
0x00, 0xC0, 0xC1, 0x01, 0xC3, 0x03, 0x02, 0xC2, 0xC6, 0x06, 0x07, 0xC7, 0x05,
0xC5, 0xC4, 0x04, 0xCC, 0x0C, 0x0D, 0xCD, 0x0F, 0xCF, 0xCE, 0x0E, 0x0A, 0xCA,
0xCB, 0x0B, 0xC9, 0x09, 0x08, 0xC8, 0xD8, 0x18, 0x19, 0xD9, 0x1B, 0xDB, 0xDA,
0x1A, 0x1E, 0xDE, 0xDF, 0x1F, 0xDD, 0x1D, 0x1C, 0xDC, 0x14, 0xD4, 0xD5, 0x15,
0xD7, 0x17, 0x16, 0xD6, 0xD2, 0x12, 0x13, 0xD3, 0x11, 0xD1, 0xD0, 0x10, 0xF0,
    
```

```

0x30, 0x31, 0xF1, 0x33, 0xF3, 0xF2, 0x32, 0x36, 0xF6, 0xF7, 0x37, 0xF5, 0x35,
0x34, 0xF4, 0x3C, 0xFC, 0xFD, 0x3D, 0xFF, 0x3F, 0x3E, 0xFE, 0xFA, 0x3A, 0x3B,
0xFB, 0x39, 0xF9, 0xF8, 0x38, 0x28, 0xE8, 0xE9, 0x29, 0xEB, 0x2B, 0x2A, 0xEA,
0xEE, 0x2E, 0x2F, 0xEF, 0x2D, 0xED, 0xEC, 0x2C, 0xE4, 0x24, 0x25, 0xE5, 0x27,
0xE7, 0xE6, 0x26, 0x22, 0xE2, 0xE3, 0x23, 0xE1, 0x21, 0x20, 0xE0, 0xA0, 0x60,
0x61, 0xA1, 0x63, 0xA3, 0xA2, 0x62, 0x66, 0xA6, 0xA7, 0x67, 0xA5, 0x65, 0x64,
0xA4, 0x6C, 0xAC, 0xAD, 0x6D, 0xAF, 0x6F, 0x6E, 0xAE, 0xAA, 0x6A, 0x6B, 0xAB,
0x69, 0xA9, 0xA8, 0x68, 0x78, 0xB8, 0xB9, 0x79, 0xBB, 0x7B, 0x7A, 0xBA, 0xBE,
0x7E, 0x7F, 0xBF, 0x7D, 0xBD, 0xBC, 0x7C, 0xB4, 0x74, 0x75, 0xB5, 0x77, 0xB7,
0xB6, 0x76, 0x72, 0xB2, 0xB3, 0x73, 0xB1, 0x71, 0x70, 0xB0, 0x50, 0x90, 0x91,
0x51, 0x93, 0x53, 0x52, 0x92, 0x96, 0x56, 0x57, 0x97, 0x55, 0x95, 0x94, 0x54,
0x9C, 0x5C, 0x5D, 0x9D, 0x5F, 0x9F, 0x9E, 0x5E, 0x5A, 0x9A, 0x9B, 0x5B, 0x99,
0x59, 0x58, 0x98, 0x88, 0x48, 0x49, 0x89, 0x4B, 0x8B, 0x8A, 0x4A, 0x4E, 0x8E,
0x8F, 0x4F, 0x8D, 0x4D, 0x4C, 0x8C, 0x44, 0x84, 0x85, 0x45, 0x87, 0x47, 0x46,
0x86, 0x82, 0x42, 0x43, 0x83, 0x41, 0x81, 0x80, 0x40
};
unsigned short CRC16(unsigned char *puchMsg, unsigned short usDataLen){
    unsigned char uchCRCHi = 0xFF;          /* high byte of CRC initialized */
    /*
    unsigned char uchCRCLo = 0xFF;          /* low byte of CRC initialized */
    /*
    unsigned uIndex ;                        /* will index into CRC lookup
table */
    while(usDataLen-- )                      /* pass through message
buffer */
    {
        uIndex = uchCRCHi ^ *puchMsg++ ;     /* calculate the CRC */
        uchCRCHi = uchCRCLo ^ uchCRCHi[uIndex] ;
        uchCRCLo = uchCRCLo[uIndex] ;
    }
    return (unsigned short int)((uchCRCHi << 8) | uchCRCLo);
}

```

SUTO iTEC GmbH

Werkstr. 2
79426 Buggingen
Germany

Tel: +49 (0) 7631 936889-0
Fax: +49 (0) 7631 936889-19
Email: sales@suto-itec.com
Website: <http://www.suto-itec.com>

SUTO iTEC (ASIA) Co., Ltd.

Room 10, 6/F, Block B, Cambridge Plaza
188 San Wan Road, Sheung Shui, N.T.
Hong Kong

Tel: +852 2328 9782
Fax: +852 2671 3863
Email: sales@suto-itec.asia
Website: <http://www.suto-itec.com>